



“What’s That Thang?” – A Discussion of Industry Processes

**Air & Waste Management Association
Louisiana Section’s Fall Conference**

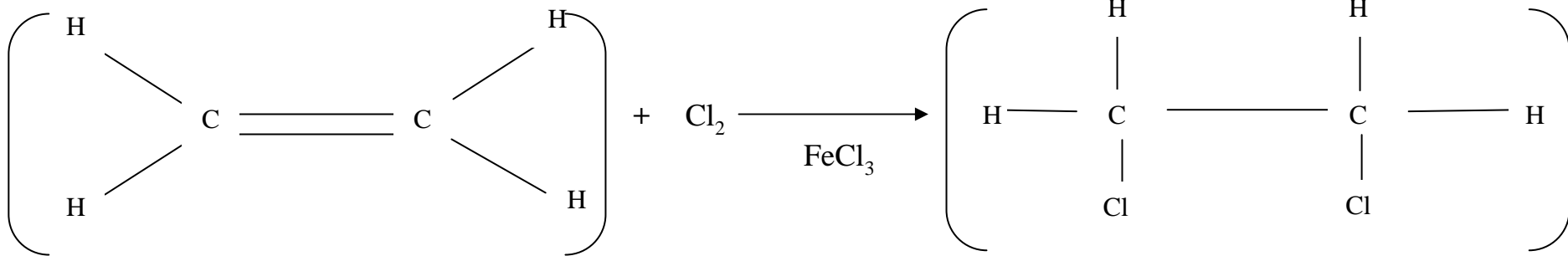
**Dave Goldsmith, Georgia Gulf Corporation
Plaquemine Facility, Iberville Parish, Louisiana**



Process

Ethylene Dichloride (EDC)/Vinyl Chloride Monomer (VCM) Plant

Direct Chlorination

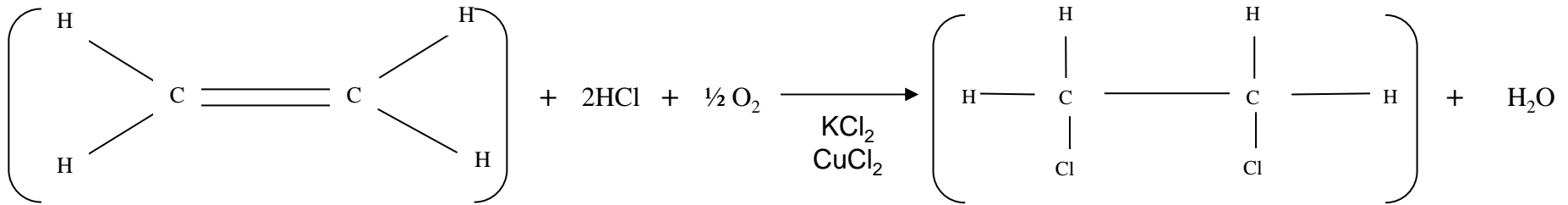


Ethylene

Chlorine

EDC

Oxyhydrochlorination

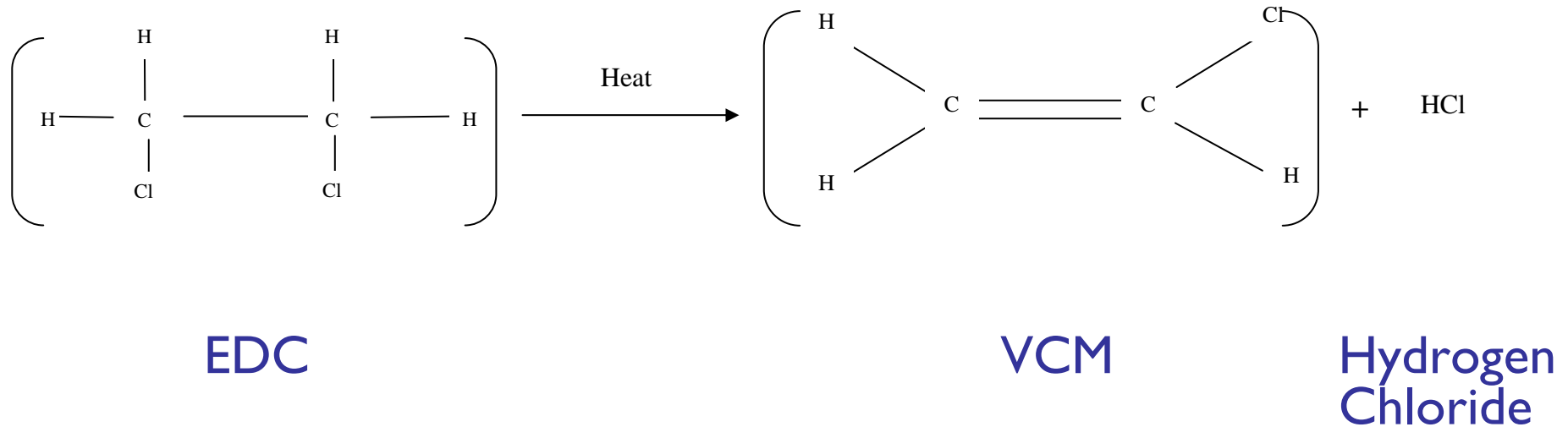


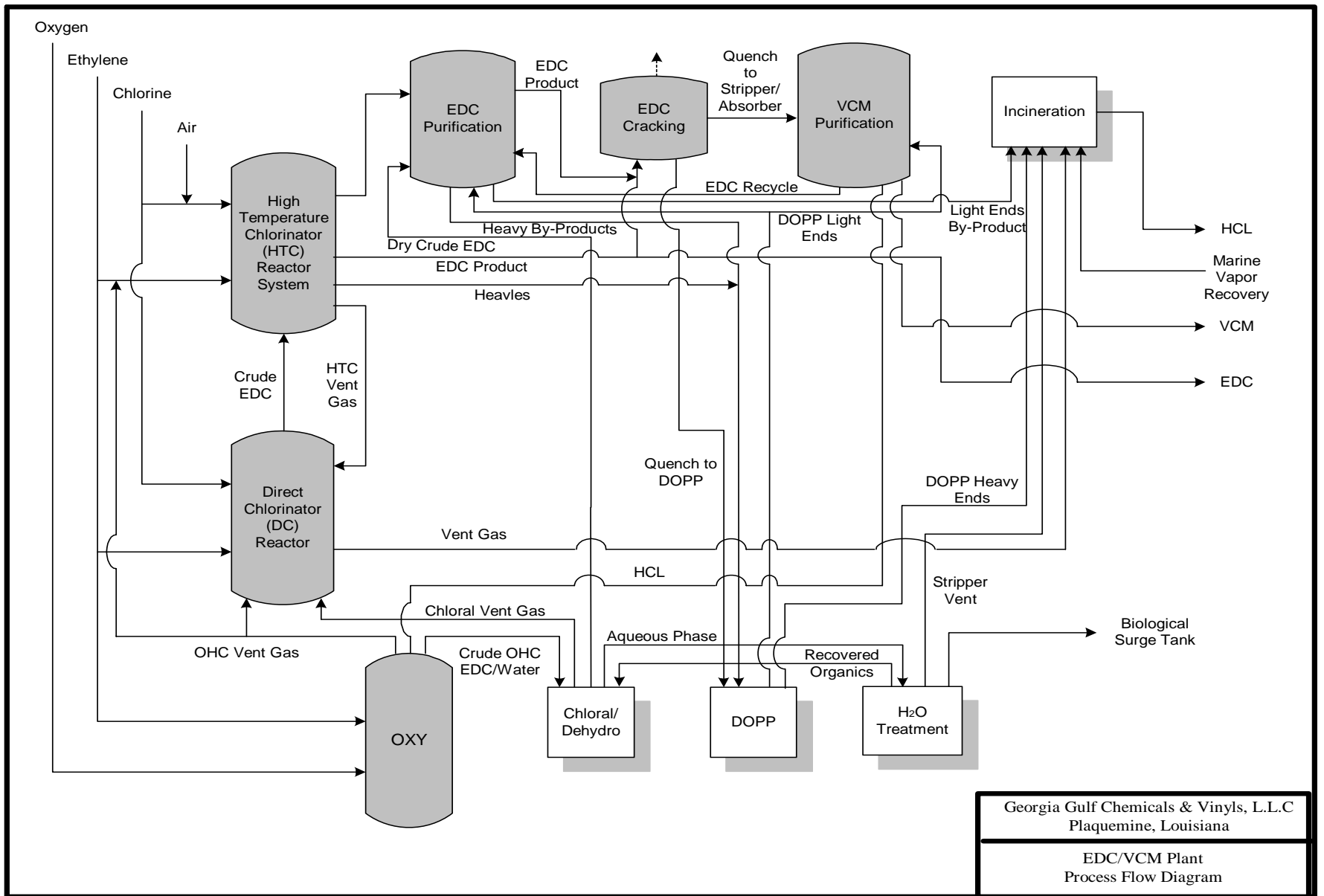
Ethylene

Hydrogen
Chloride

EDC

Dehydrochlorination



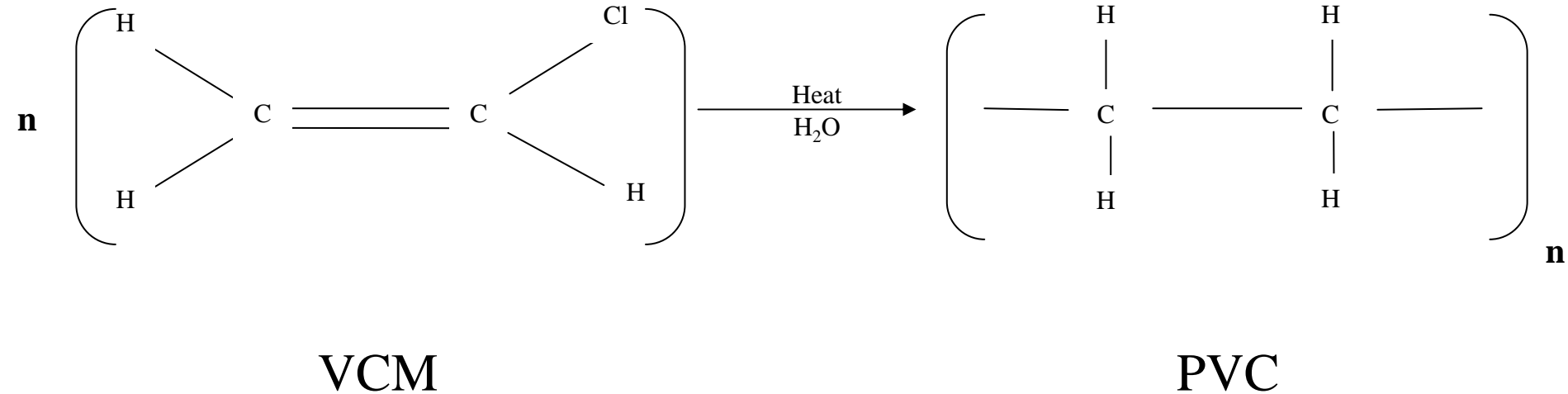




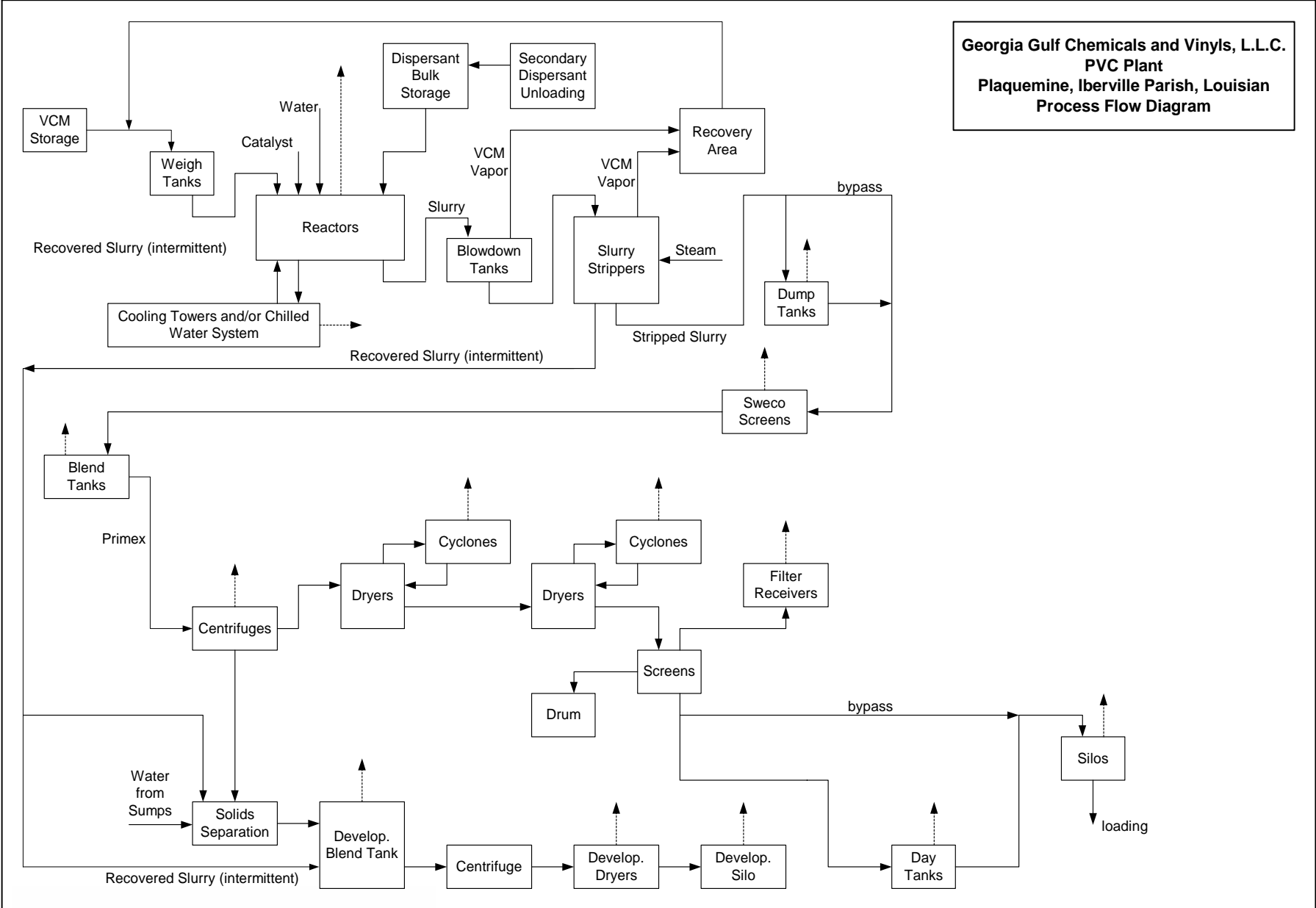
Process

Polyvinyl Chloride (PVC) Plant

Polymerization



Georgia Gulf Chemicals and Vinyls, L.L.C.
PVC Plant
Plaquemine, Iberville Parish, Louisiana
Process Flow Diagram





Questions?